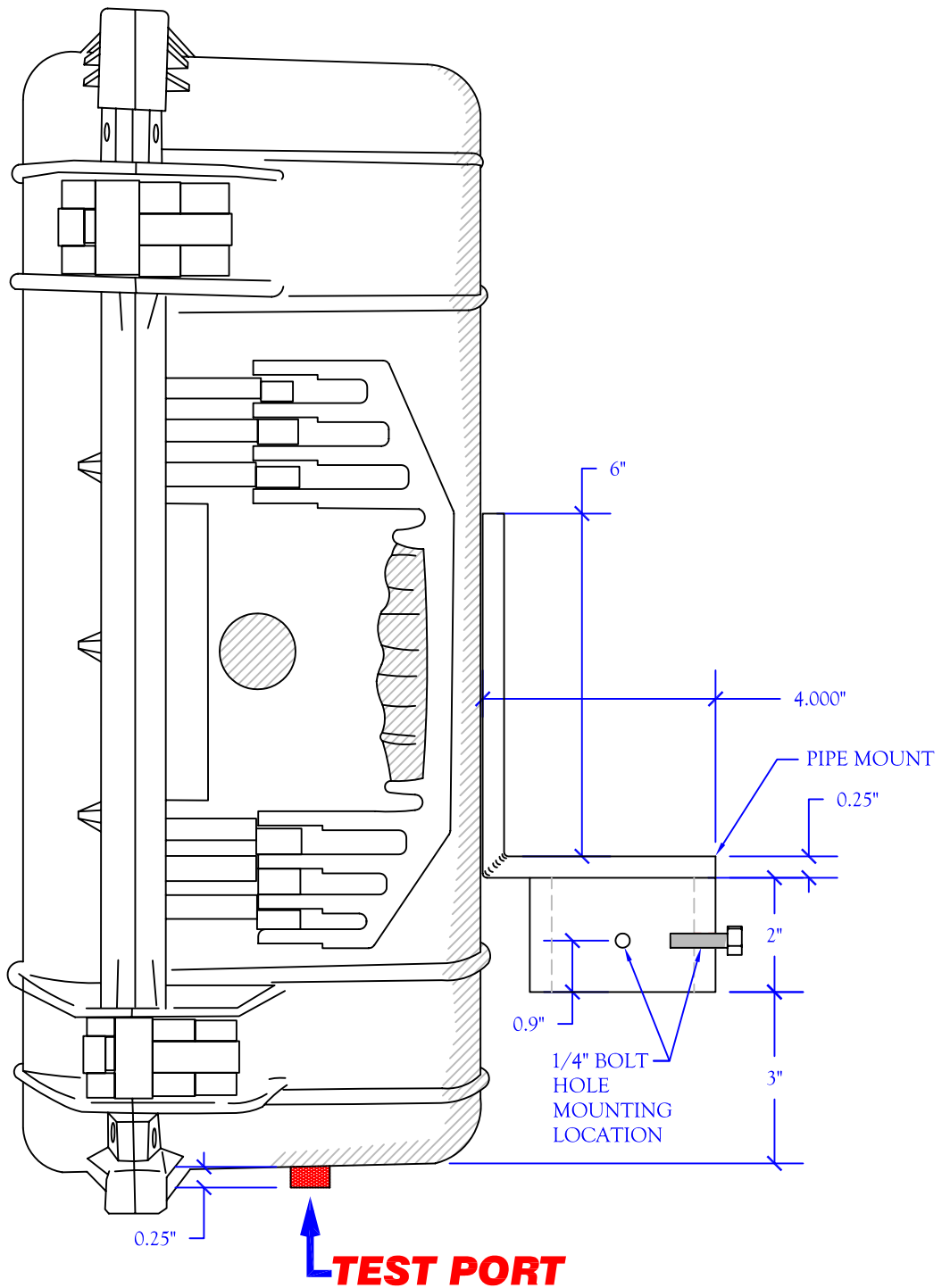
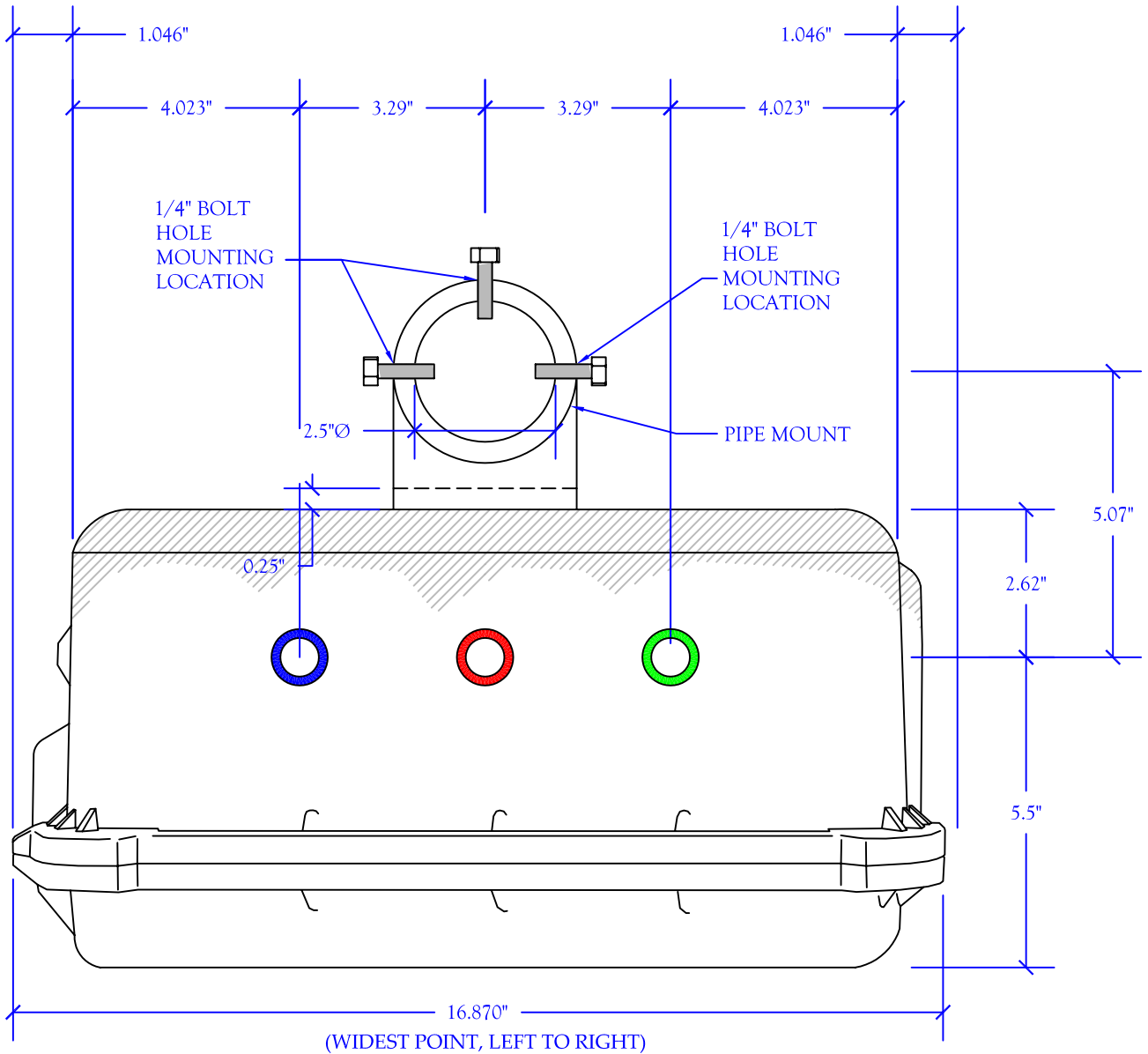


DWG NAME		PANEL MOUNT BOLT PATTERN			
FOR PRODUCT:		TECH CAL RECORDER 12"			
REVISED	4/24/09	DRAWN BY	RH	APPROVED BY	GG
SCALE		N.T.S.		SHEET PA.MT-1	
Technology & Calibration, Inc. "When Quality Counts" 3538 PINEMONT DR. HOUSTON, TEXAS 77018 OFFICE: 713-692-1600 FAX: 713-692-1722 E-MAIL: INFO@TECHCAL.COM WWW.TECHCAL.COM					



DWG NAME		PIPE MOUNT (SIDE VIEW)			
FOR PRODUCT:		TECH CAL RECORDER 12"			
REVISED	4/24/09	DRAWN BY	RH	APPROVED BY	GG
SCALE	N.T.S.	SHEET		PI.MT-1	
Technology & Calibration, Inc. "When Quality Counts" 3538 PINEMONT DR. HOUSTON, TEXAS 77018 OFFICE: 713-692-1600 FAX: 713-692-1722 E-MAIL: INFO@TECHCAL.COM WWW.TECHCAL.COM					



TEST PORT 1



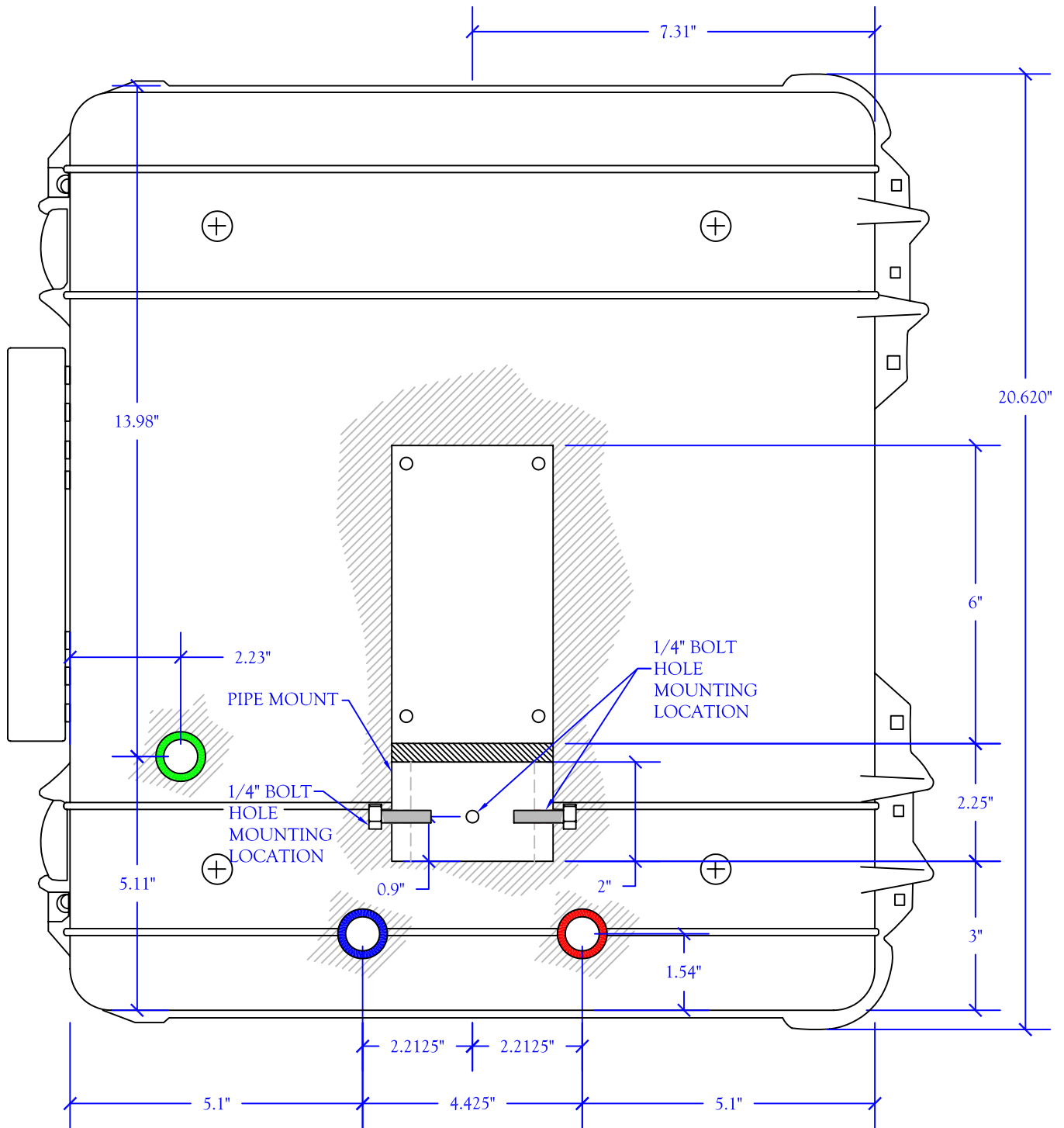
TEST PORT 2



TEST PORT 3



DWG NAME		PIPE MOUNT (BOTTOM VIEW)			
FOR PRODUCT:		TECH CAL RECORDER 12"			
REVISED	4/24/09	DRAWN BY	RH	APPROVED BY	GG
SCALE		N.T.S.		SHEET PI.MT-2	
Technology & Calibration, Inc. "When Quality Counts" 3538 PINEMONT DR. HOUSTON, TEXAS 77018 OFFICE: 713-692-1600 FAX: 713-692-1722 E-MAIL: INFO@TECHCAL.COM WWW.TECHCAL.COM					



TEST PORT 1



TEST PORT 2



TEST PORT 3



DWG NAME		PIPE MOUNT (BACK VIEW)			
FOR PRODUCT:		TECH CAL RECORDER 12"			
REVISED	4/24/09	DRAWN BY	RH	APPROVED BY	GG
SCALE		N.T.S.		SHEET	
		PI.MT-3			
Technology & Calibration, Inc. "When Quality Counts" 3538 PINEMONT DR. HOUSTON, TEXAS 77018 OFFICE: 713-692-1600 FAX: 713-692-1722 E-MAIL: INFO@TECHCAL.COM WWW.TECHCAL.COM					